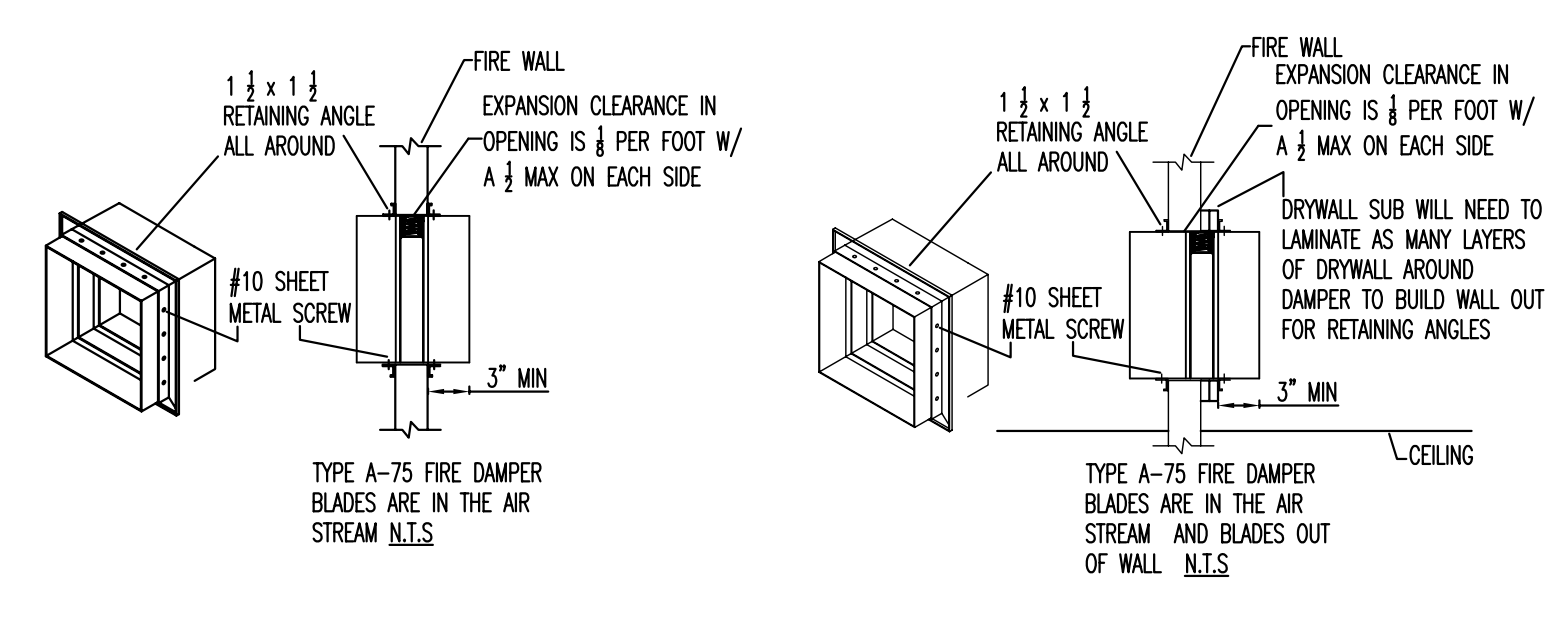


FOR CONTINUATION FROM 7TH FLOOR PLANKING AND DOWN - SEE SHEET SM7 FOR RISER GROUPS "A"-"K"



FOR ELEVATIONS OF ALL HORIZONTAL DUCT REFER TO CORRESPONDING SM DRAWING

ALL SHAFT WALLS ARE 2-HR FIRE RATED WALLS. ANY DUCT WORK CONTACTED WITH IN THESE WALLS DOES NOT REQUIRE A FD @ SLAB PENETRATION. PER DAGNER ENG. 3/16/09 REVIEW

SAMPLE - HVAC - VERTICAL DUCT

SCALE: 1/4" = 1'-0"

ARCHITECT:

MECH ENGINEER:

NO.	DESCRIPTION	DATE
REVISIONS		

SAMPLE CONTRACTOR COMPANY NAME
 SAMPLE STREET ZIP
 CITY, STATE ZIP
 ph: 000-000-0000
 fax: 000-000-0000

SAMPLE JOB
NAME HERE
 CITY, TOWNSHIP, STATE, ZIP

SAMPLE SHEET METAL SHOP DRAWING

VERTICAL DUCT

scale AS SHOWN
 drawn xxx
 reviewed .JK
 date 00-00-00

SM3